

**Foster + Partners**

for



**Bay System**

**Bay Gate | Bay Lounge**

**Foster + Partners**

for



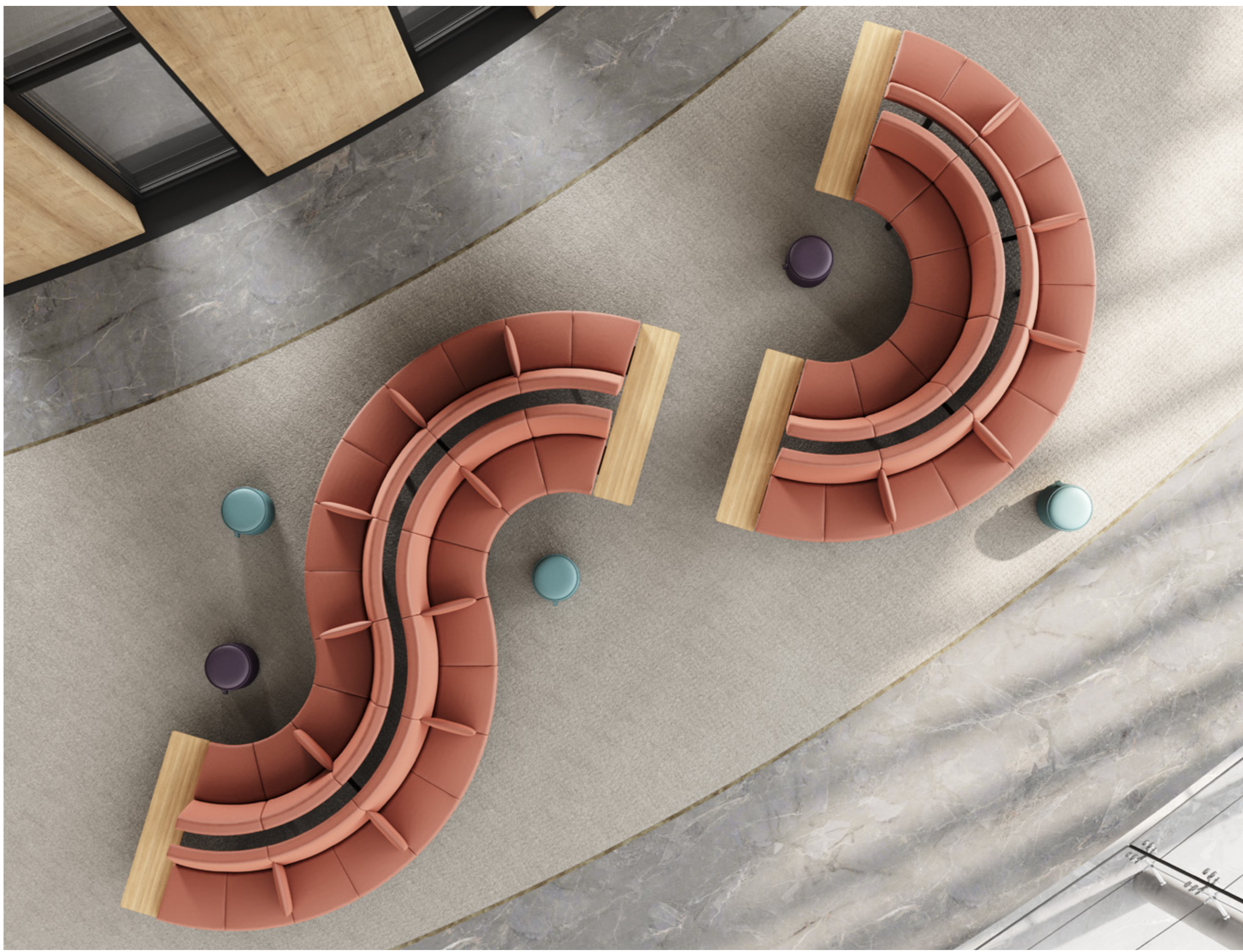








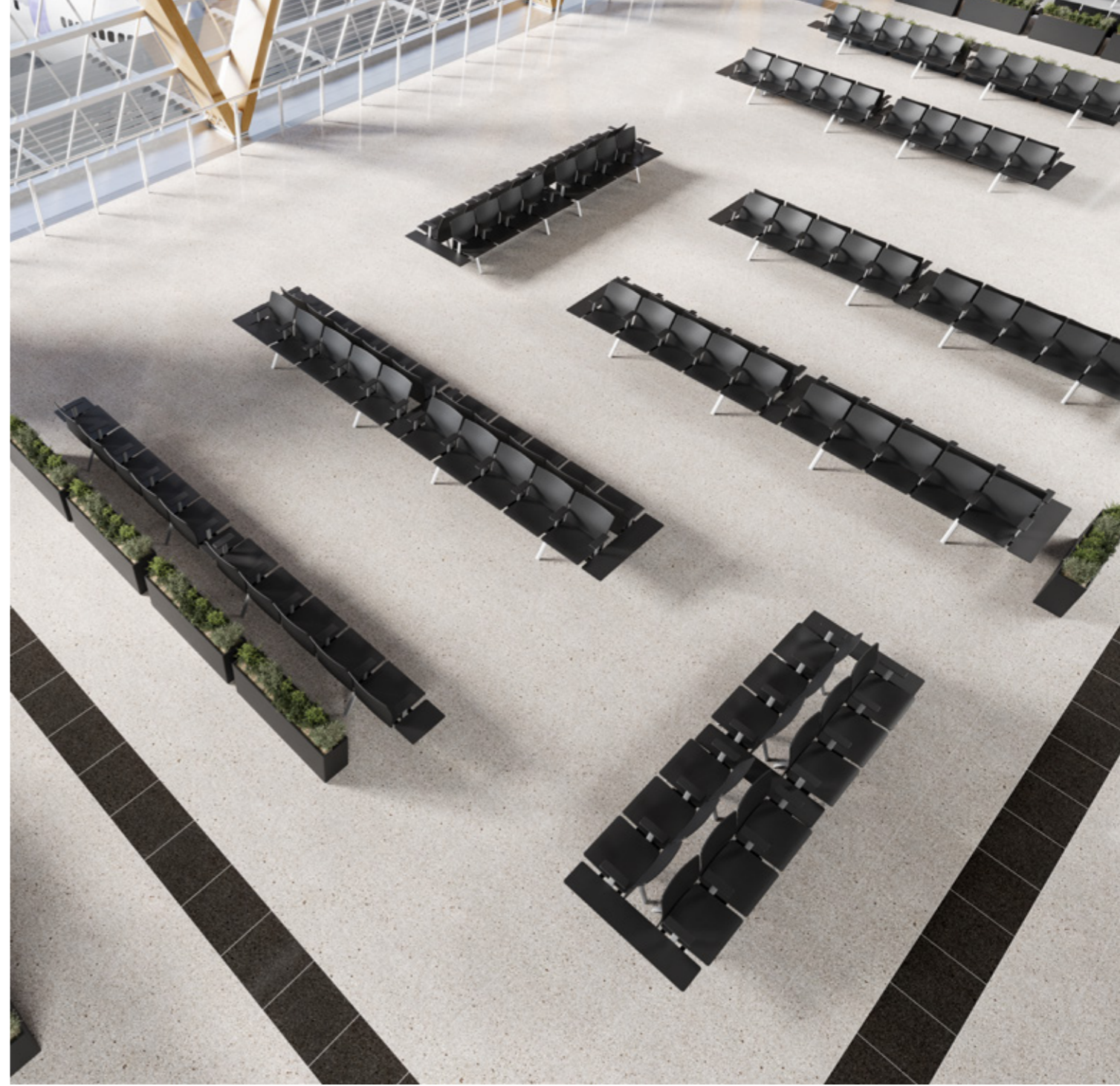














## Foster+Partners for Poltrona Frau Bay System

Frutto della stretta collaborazione tra Foster+Partners e l'azienda eccellenza del Made in Italy Poltrona Frau, è un sistema modulare di sedute che può essere facilmente riconfigurato per adattarsi a diversi layout spaziali e aree di attesa ed è particolarmente adatto a soddisfare le diverse esigenze dei viaggiatori in aeroporti, stazioni ferroviarie e altre infrastrutture di trasporto. Offre una soluzione di seduta flessibile e durevole, in grado di adattarsi nel tempo alla natura mutevole dei viaggi.

Il sistema è composto da due diversi assetti – Bay Gate e Bay Lounge più un pratico pouf trasversale – progettati per offrire diversi livelli di supporto ergonomico e privacy. La struttura principale è comune ai due sistemi, con due travi centrali gemelle che creano un semplice supporto per una o due file di sedili. Lo spazio tra le due travi nasconde il cablaggio e offre la possibilità di integrare tecnologie future. Prese di corrente, ricarica a induzione per i telefoni, schermi personali e apparecchi di illuminazione possono essere integrati in modo plug-and-play, consentendo una flessibilità infinita.

Designed in close collaboration between Foster+Partners and the Italian manufacturer, Poltrona Frau, it is a modular kit-of-parts that can be easily reconfigured to suit different spatial layouts and waiting spaces and is particularly suited to cater to the varying needs of travellers throughout airports, train stations and other associated transport infrastructure. It offers a flexible and enduring seating solution that can adapt to the changing nature of travel over time.

The system comprises of two main ranges – Bay Gate and Bay Lounge plus a practical transversal pouf – that have been designed to offer different levels of ergonomic support and privacy. The primary structure is common between the two systems, with twin central beams creating a simple support for a single or two rows of seats. The space between the two beams conceals space for cabling and provides space to integrate future technologies. Power sockets, induction charging for phones, personal screens and lighting fixtures can all be integrated in a plug-and-play manner, allowing for infinite flexibility.



L'intero sistema è completamente smontabile e consente di separare, riconfigurare e sostituire le componenti, prolungando la rilevanza e la durabilità della serie. La sua configurazione compatta consente un elevato livello di efficienza durante le operazioni logistiche, risparmiando spazio e riducendo i costi di trasporto. Il facile smantellamento a fine vita facilita la riciclabilità di ogni materiale.

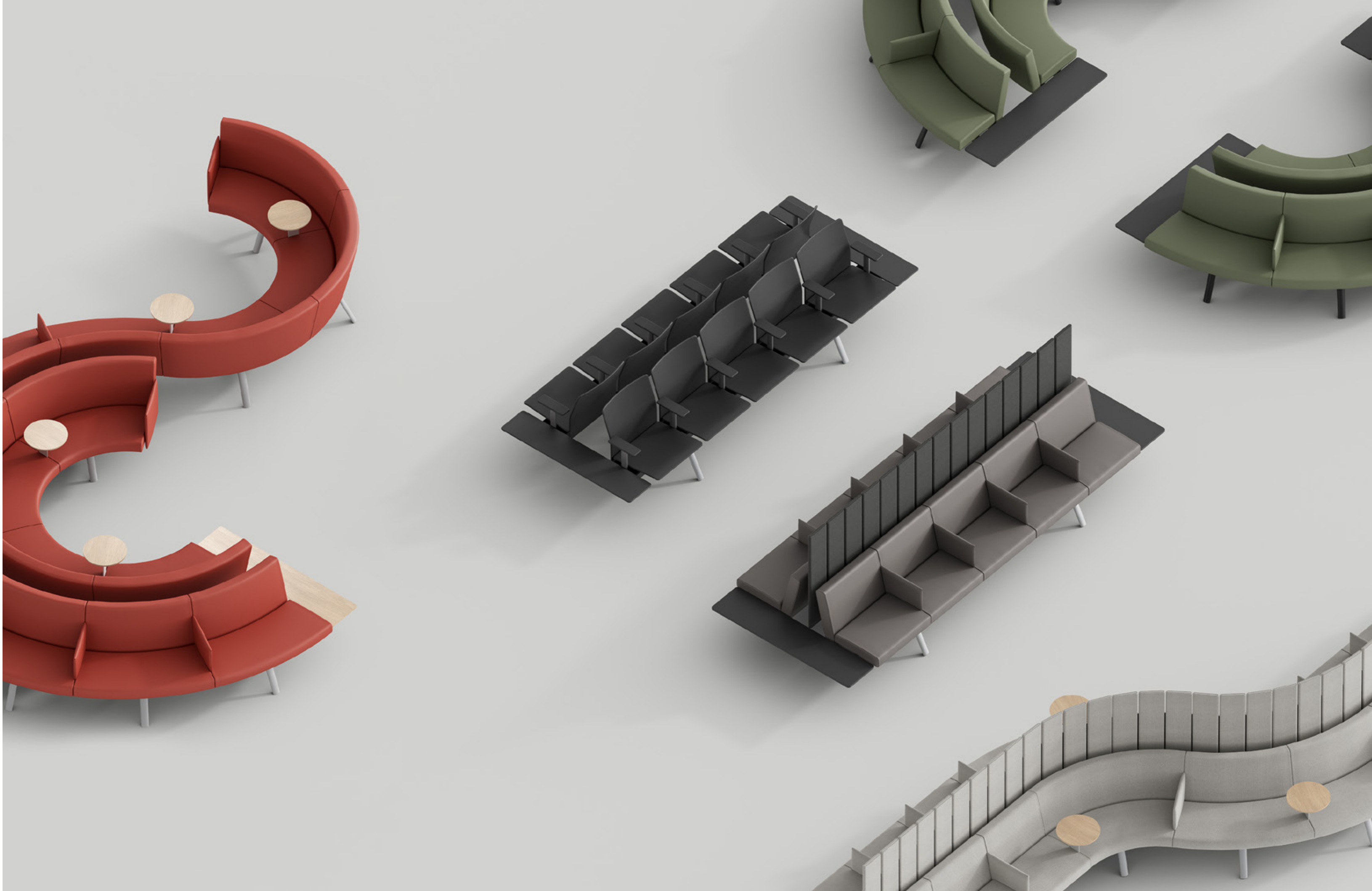
La scelta illimitata di layout, l'ampia gamma di elementi e materiali modulari e la facilità di installazione rendono Bay System una scelta vincente per i progettisti, i committenti e gli operatori dei terminal di trasporto di tutto il mondo.

The entire system is fully demountable, allowing components to be separated, reconfigured and replaced, extending the relevance and lifespan of the range. Its compact storage setup enables a high level of efficiency during logistics operations, saving space and reducing transportation consumption. The end-of-life easy dismantling facilitates recyclability of each material.

Its unlimited choice of layouts, broad palette of modular elements and materials, and ease of installation will make Bay System a compelling choice for designers, specifiers and transport terminal operators around the world.











## Bay Gate

Bay Gate offre sedute efficienti e ad alta densità per le aree con tempi di attesa brevi, come i gate di imbarco. Il sistema è stato studiato con cura rispetto al tema della sostenibilità, infatti, è stato realizzato con materiali riciclabili (Nylon, alluminio e ferro). Inoltre, è studiato con facilità di assemblaggio e disassemblaggio per le fasi di montaggio e smontaggio del prodotto.

Il sistema Bay è caratterizzato da un design leggero e spessori sottili, garantendo il miglior comfort di seduta grazie ad un approfondito studio ergonomico.

Bay Gate provides an efficient, high-density seating structure for public areas with short wait times, such as boarding gates. The system has been designed with an enormous attention to sustainability - in fact it is composed of recyclable materials (nylon, aluminum and iron), it is also extremely easy to assemble and disassemble with the aim of facilitating logistics.

The Bay System is characterized by clever ergonomic design and a thin structure which guarantees the remarkable seating comfort.



# Bay Lounge

Le sedute curve di Bay Lounge si sviluppano a partire da studi approfonditi per comprendere come le persone amano sedersi quando non sono accompagnate o quando si trovano in gruppo. Partendo da un approccio tailor-made, il sistema offre una serie di layout con diversi livelli di comfort, protezione e privacy. È dotato di sedute più ampie e imbottite, con finiture di pregio, che consentono di riposare e rilassarsi più a lungo.

Grazie alla versatilità della sua configurazione, Bay Lounge è adatto non solo agli aeroporti, ma anche a spazi pubblici di diversa tipologia come campus, uffici, cliniche, hall di hotel, centri commerciali, musei e sale riunioni, trasformando il modo in cui le persone vivono i momenti di attesa.

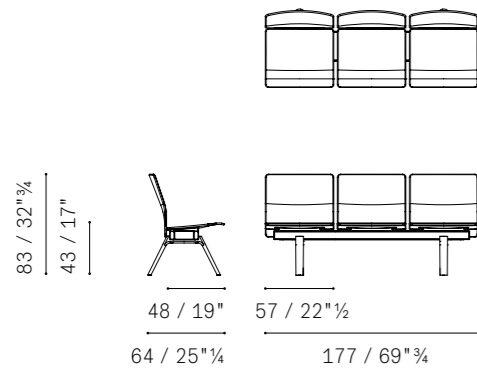
Bay Lounge's curved seating is based on in-depth studies to understand how people like to sit when they are unaccompanied or in small and large groups. Taking a tailored approach, the system offers a range of layouts with varying levels of comfort, enclosure and privacy. It features a wider cushioned seat and premium finishes for longer periods of rest and relaxation.

Due to the versatility of its configuration, BAY Lounge is suitable not only for airports, but also for other public spaces such as campuses, offices, health clinics, hotel, halls, malls, museums and meeting rooms, transforming the way people experience waiting moments.

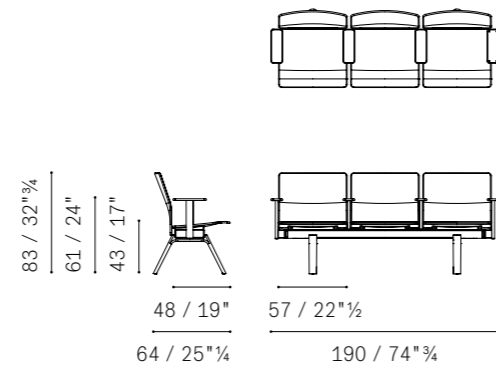




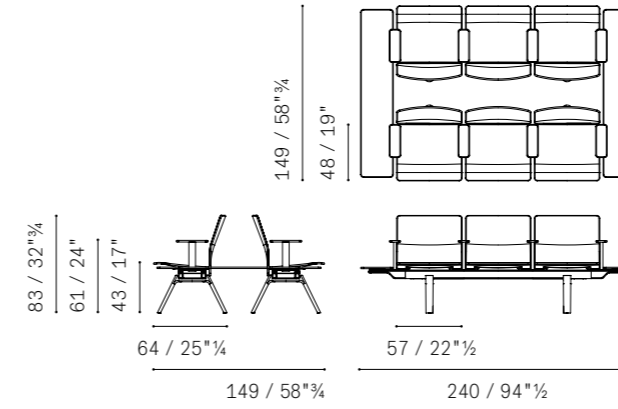
LAYOUT EXAMPLE 1 - 3-SEATER BEAM WITHOUT ARMRESTS



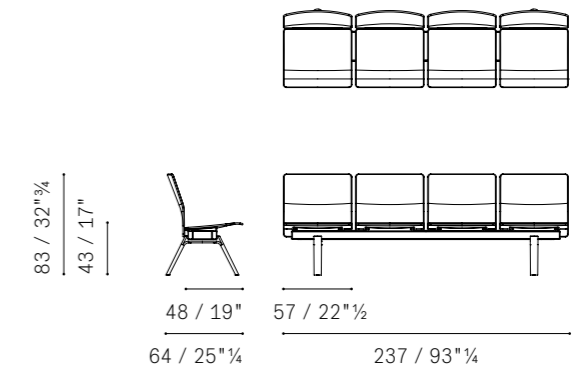
LAYOUT EXAMPLE 2 - 3-SEATER BEAM WITH ARMRESTS



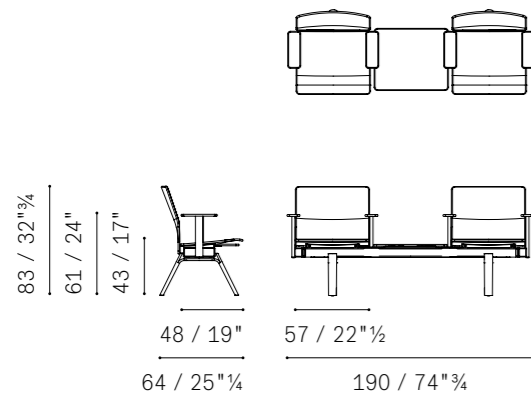
LAYOUT EXAMPLE 7 - DOUBLE 3-SEATER BEAM WITH ARMRESTS AND TERMINAL SHELVES



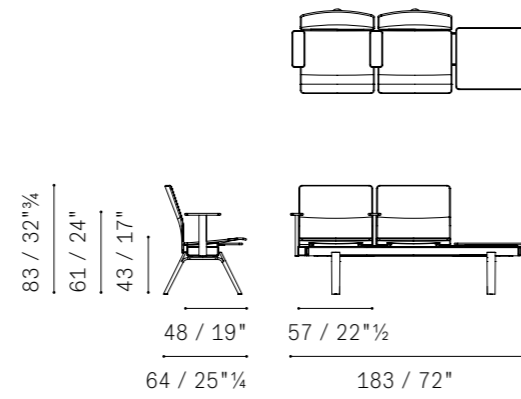
LAYOUT EXAMPLE 8 - 4-SEATER BEAM WITHOUT ARMRESTS



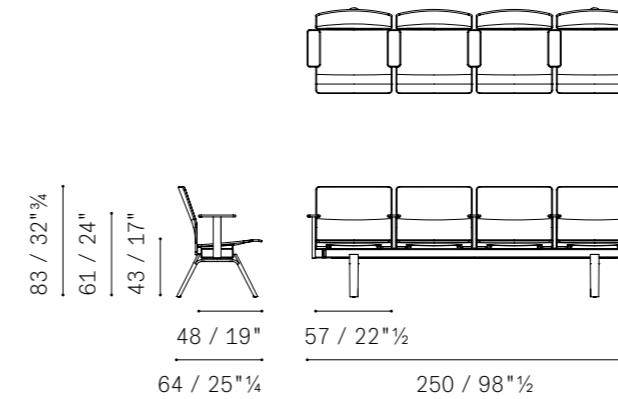
LAYOUT EXAMPLE 3 - 2-SEATER BEAM WITH ARMRESTS AND CENTRAL TABLE



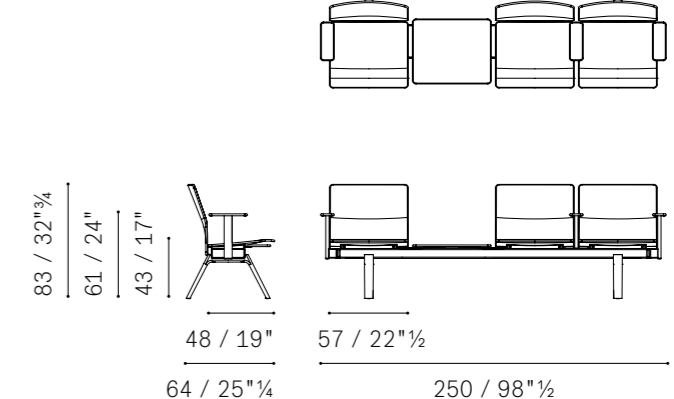
LAYOUT EXAMPLE 4 - 2-SEATER BEAM WITH ARMRESTS AND SIDE TABLE DX-SX



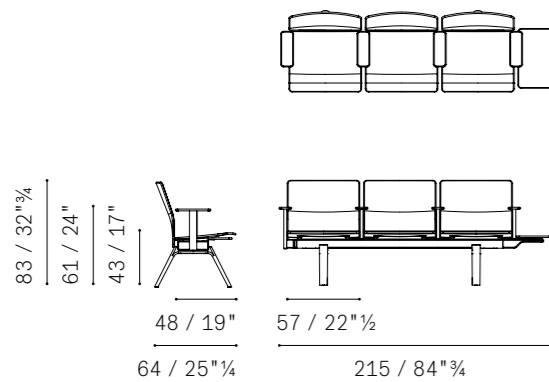
LAYOUT EXAMPLE 9 - 4-SEATER BEAM WITH ARMRESTS



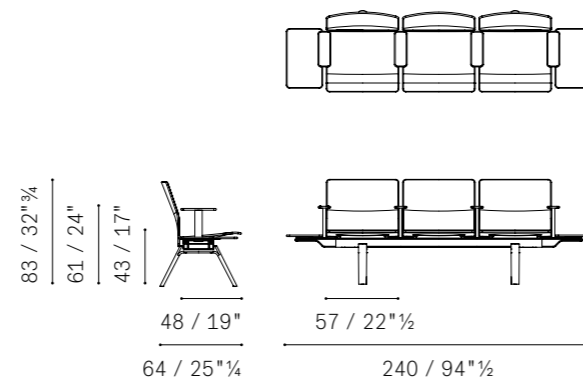
LAYOUT EXAMPLE 10 - 3-SEATER BEAM WITH ARMRESTS AND TABLE



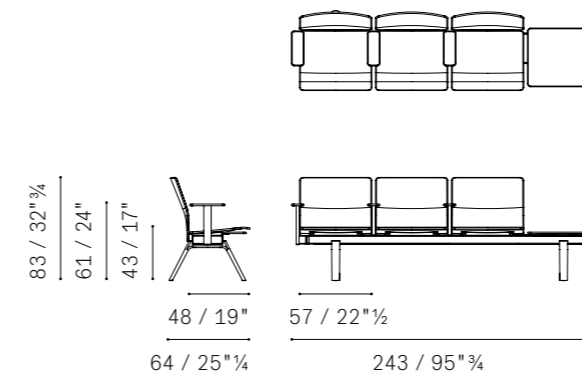
LAYOUT EXAMPLE 5 - 3-SEATER BEAM WITH ARMRESTS AND TERMINAL SHELF DX-SX



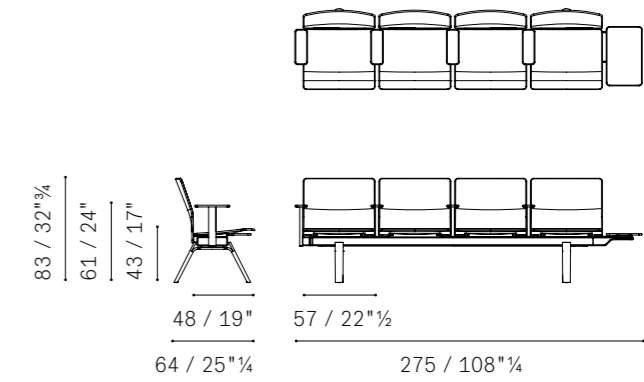
LAYOUT EXAMPLE 6 - 3-SEATER BEAM WITH ARMRESTS AND TERMINAL SHELVES



LAYOUT EXAMPLE 11 - 3-SEATER BEAM WITH ARMRESTS AND SIDE TABLE DX-SX

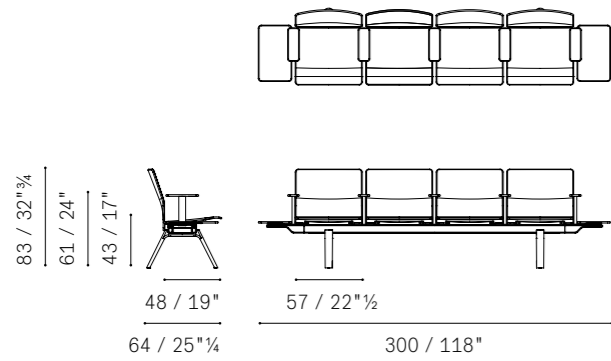


LAYOUT EXAMPLE 12 - 4-SEATER BEAM WITH ARMRESTS AND SIDE SHELF DX-SX

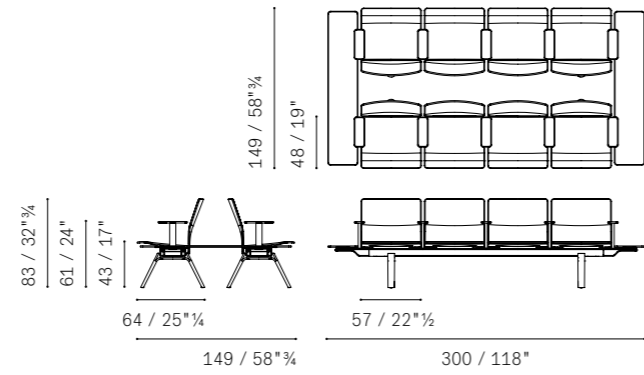




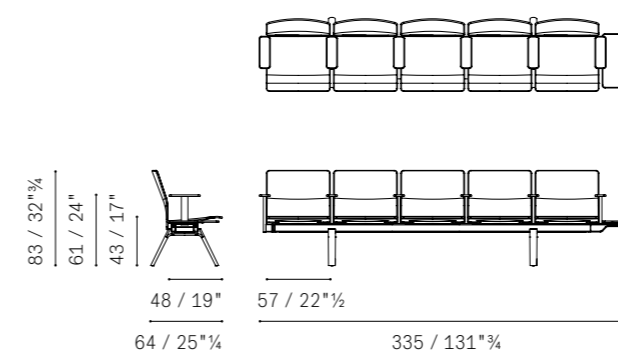
LAYOUT EXAMPLE 13 - 4-SEATER BEAM WITH ARMRESTS AND TERMINAL SHELVES



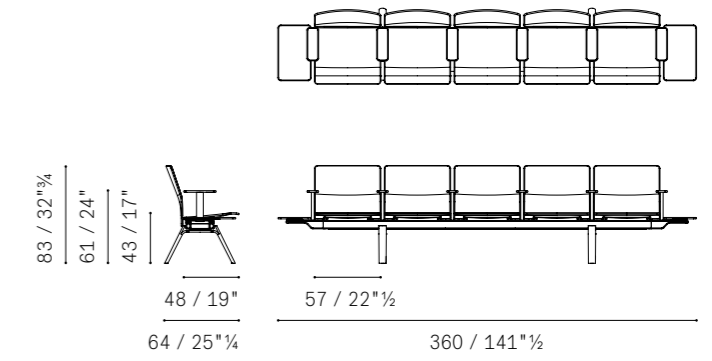
LAYOUT EXAMPLE 14 - DOUBLE 4-SEATER BEAM WITH ARMRESTS AND TERMINAL SHELVES



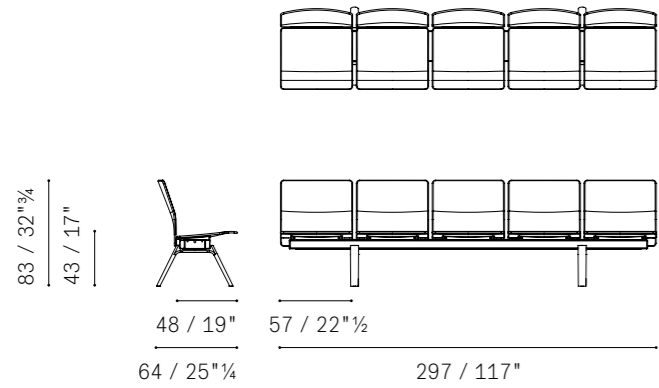
LAYOUT EXAMPLE 19 - 5-SEATER BEAM WITH ARMRESTS AND TERMINAL SHELVES



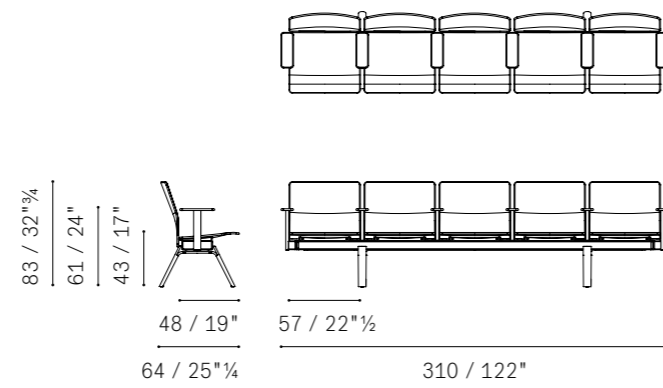
LAYOUT EXAMPLE 20 - DOUBLE 5-SEATER BEAM WITH ARMRESTS AND TERMINAL SHELVES



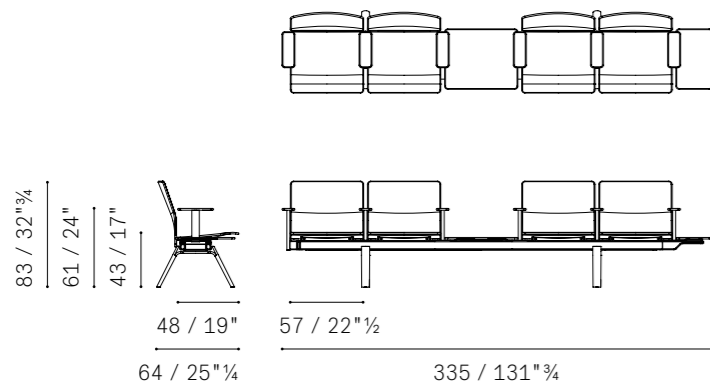
LAYOUT EXAMPLE 15 - 5-SEATER BEAM WITHOUT ARMRESTS



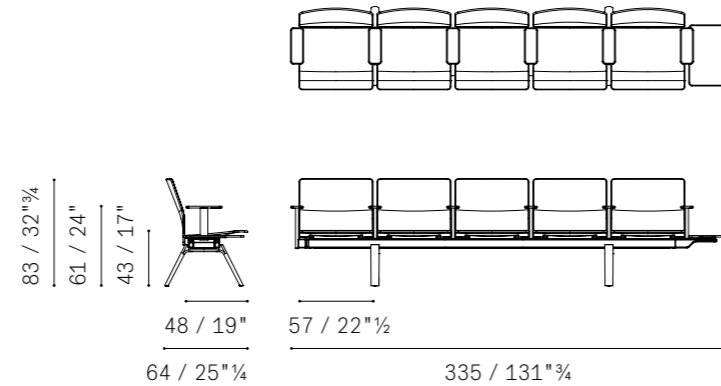
LAYOUT EXAMPLE 16 - 5-SEATER BEAM WITH ARMRESTS



LAYOUT EXAMPLE 17 - 4-SEATER BEAM WITH ARMRESTS AND CENTRAL TABLE



LAYOUT EXAMPLE 18 - 5-SEATER BEAM WITH ARMRESTS AND SIDE TABLE DX-SX

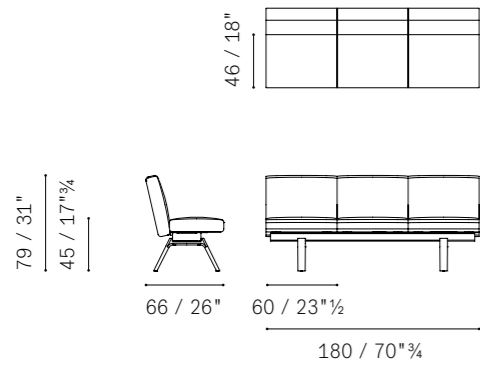




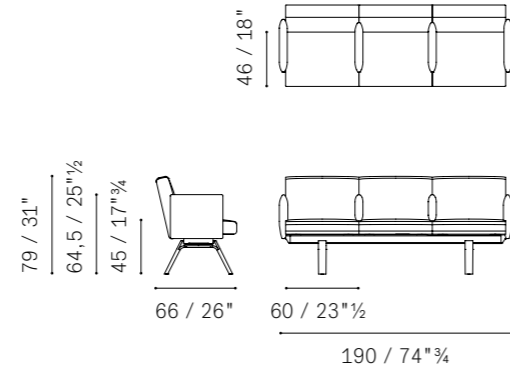
**BAY LOUNGE** Sedute su barra / Beam seatings

Please note: this catalogue shows only some technical drawings, in order to know all the availabilities please contact the customer office.  
Contact: [custominteriors@poltronafrau.com](mailto:custominteriors@poltronafrau.com)

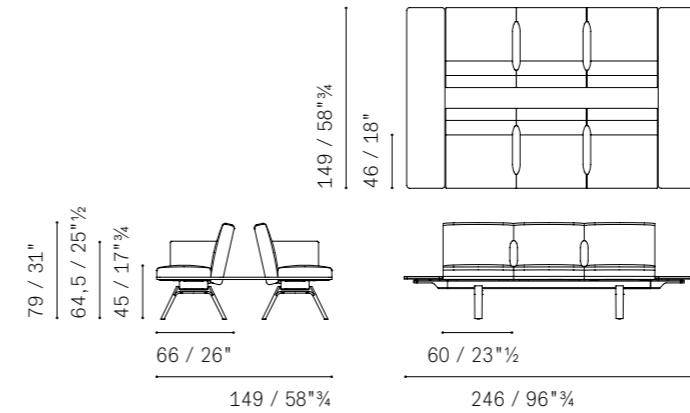
LAYOUT EXAMPLE 1 - 3-SEATER BEAM WITHOUT ARMRESTS



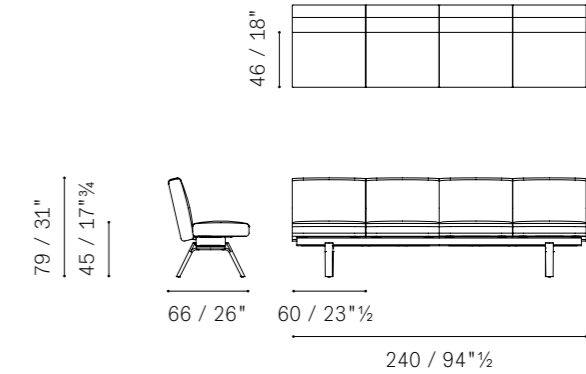
LAYOUT EXAMPLE 2 - 3-SEATER BEAM WITH ARMRESTS



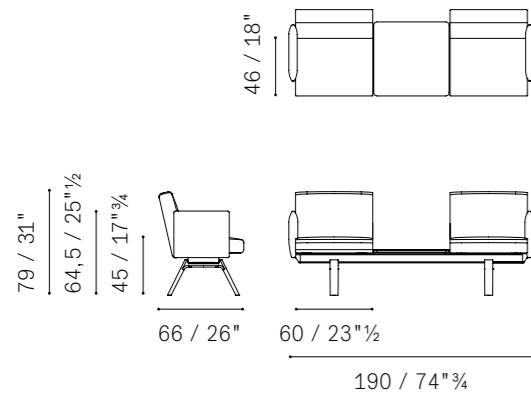
LAYOUT EXAMPLE 7 - DOUBLE 3-SEATER BEAM WITH ARMRESTS AND TERMINAL SHELVES



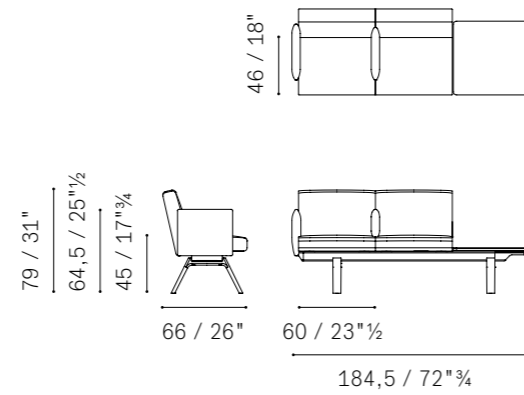
LAYOUT EXAMPLE 8 - 4-SEATER BEAM WITHOUT ARMRESTS



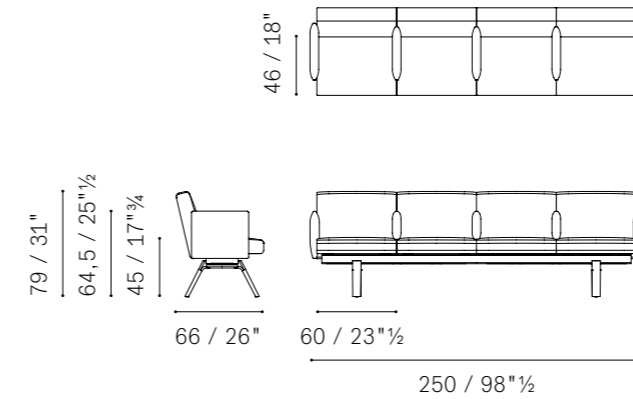
LAYOUT EXAMPLE 3 - 2-SEATER BEAM WITH ARMRESTS AND CENTRAL TABLE



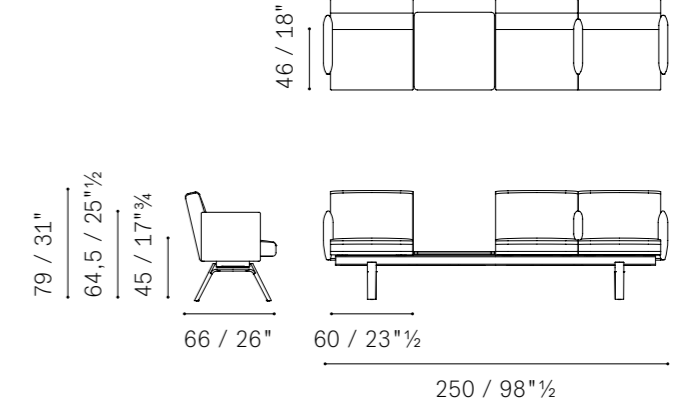
LAYOUT EXAMPLE 4 - 2-SEATER BEAM WITH ARMRESTS AND SIDE TABLE DX-SX



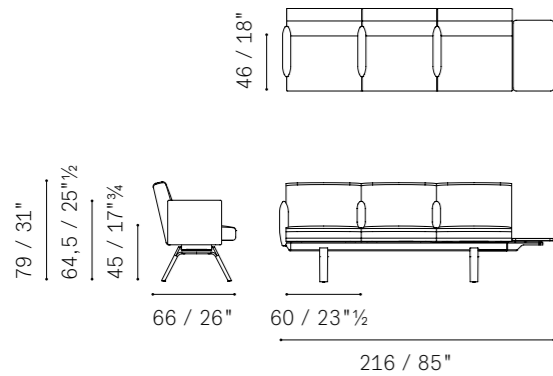
LAYOUT EXAMPLE 9 - 4-SEATER BEAM WITH ARMRESTS



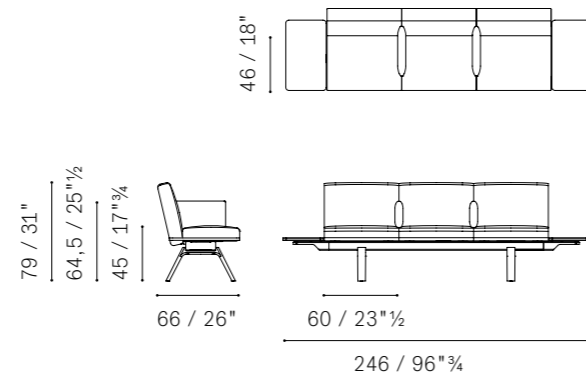
LAYOUT EXAMPLE 10 - 3-SEATER BEAM WITH ARMRESTS AND TABLE



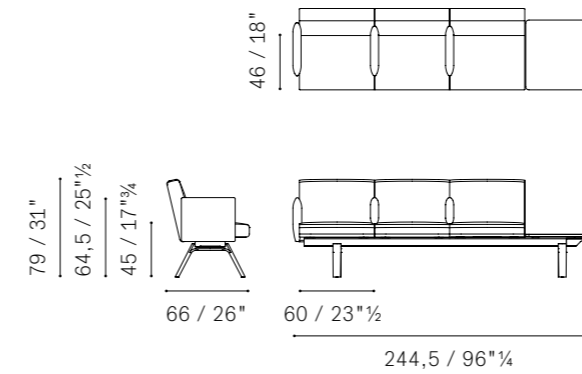
LAYOUT EXAMPLE 5 - 3-SEATER BEAM WITH ARMRESTS AND TERMINAL SHELF DX-SX



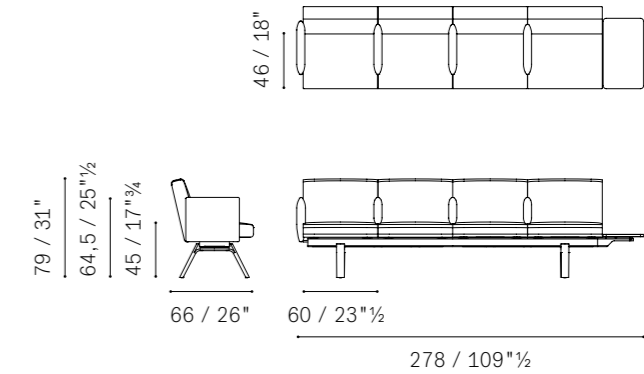
LAYOUT EXAMPLE 6 - 3-SEATER BEAM WITH ARMRESTS AND TERMINAL SHELVES



LAYOUT EXAMPLE 11 - 3-SEATER BEAM WITH ARMRESTS AND SIDE TABLE DX-SX



LAYOUT EXAMPLE 12 - 4-SEATER BEAM WITH ARMRESTS AND SIDE SHELF DX-SX

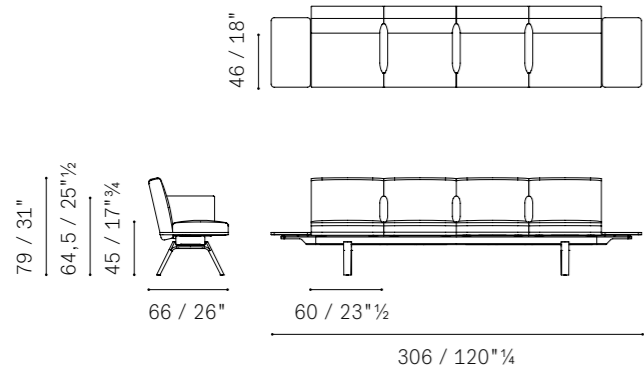




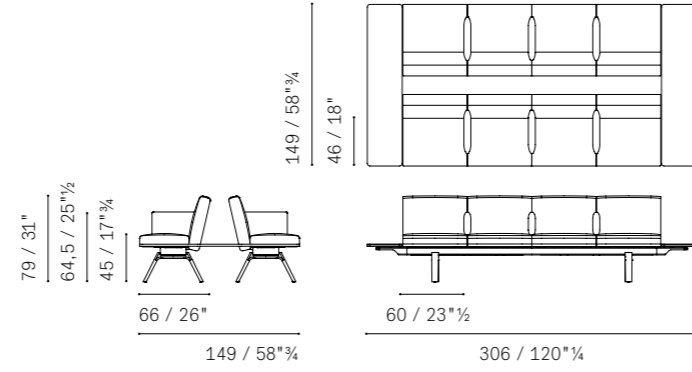
**BAY LOUNGE** Sedute su barra / Beam seatings

Please note: this catalogue shows only some technical drawings, in order to know all the availabilities please contact the customer office.  
Contact: [custominteriors@poltronafrau.com](mailto:custominteriors@poltronafrau.com)

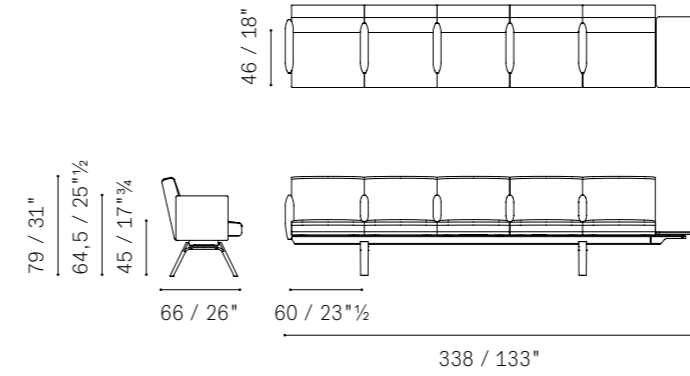
LAYOUT EXAMPLE 13 - 4-SEATER BEAM WITH ARMRESTS AND TERMINAL SHELVES



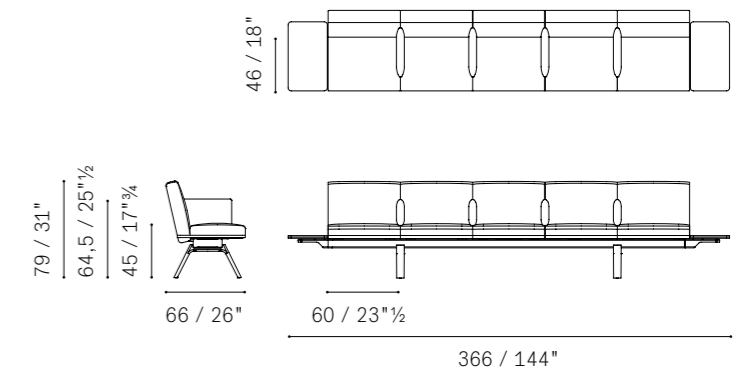
LAYOUT EXAMPLE 14 - DOUBLE 4-SEATER BEAM WITH ARMRESTS AND TERMINAL SHELVES



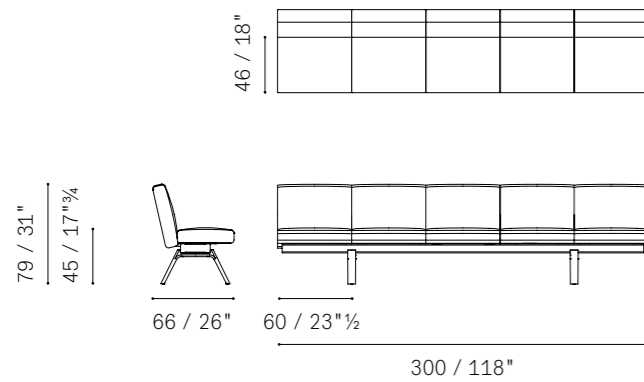
LAYOUT EXAMPLE 19 - 5-SEATER BEAM WITH ARMRESTS AND TERMINAL SHELF DX-SX



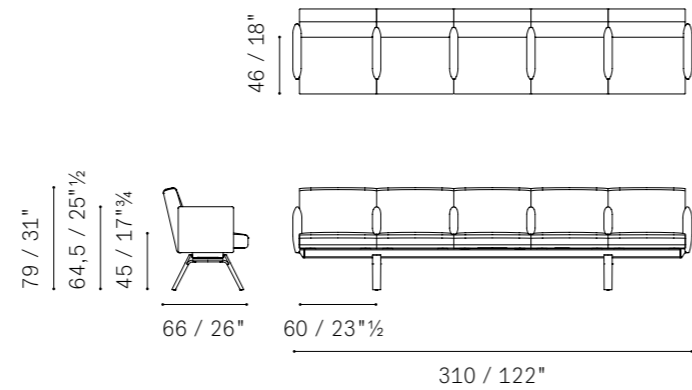
LAYOUT EXAMPLE 20 - 5-SEATER BEAM WITH ARMRESTS AND TERMINAL SHELVES



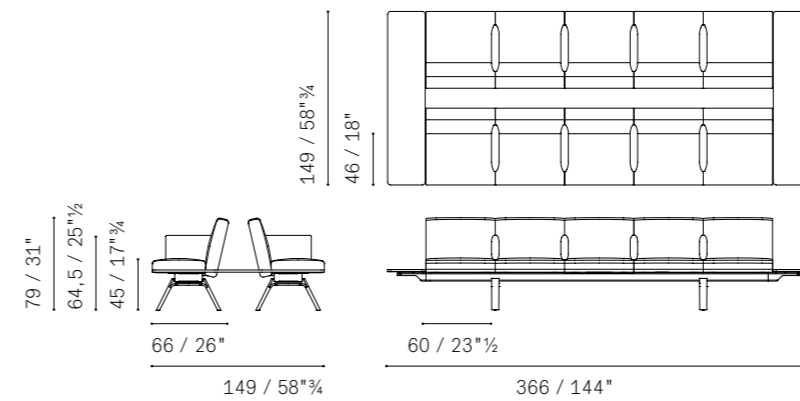
LAYOUT EXAMPLE 15 - 5-SEATER BEAM WITHOUT ARMRESTS



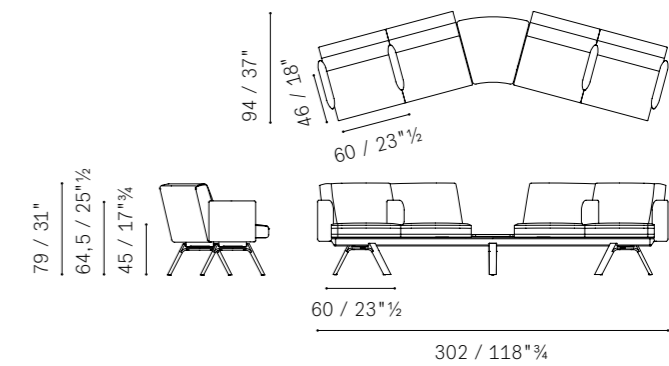
LAYOUT EXAMPLE 16 - 5-SEATER BEAM WITH ARMRESTS



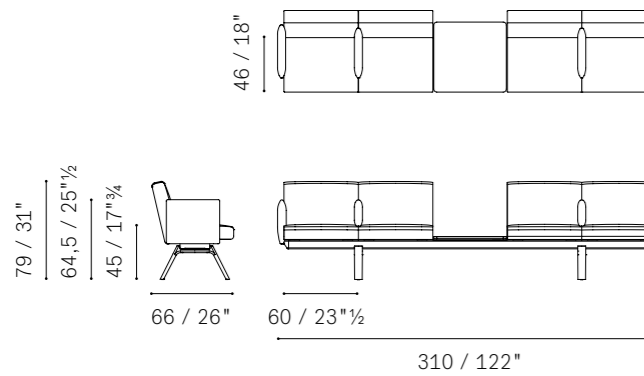
LAYOUT EXAMPLE 21 - DOUBLE 5-SEATER BEAM WITH ARMRESTS AND TERMINAL SHELVES



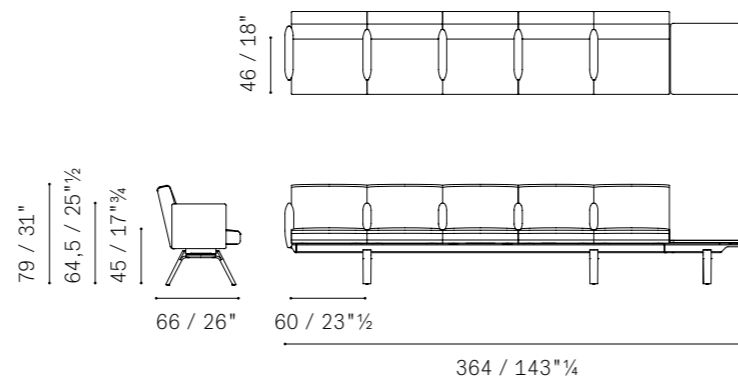
LAYOUT EXAMPLE 22 - CURVED CONFIGURATION TYPE A



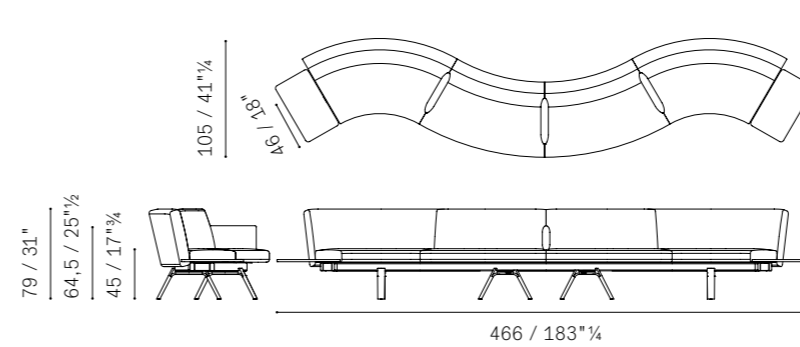
LAYOUT EXAMPLE 17 - 4-SEATER BEAM WITH ARMRESTS AND CENTRAL TABLE



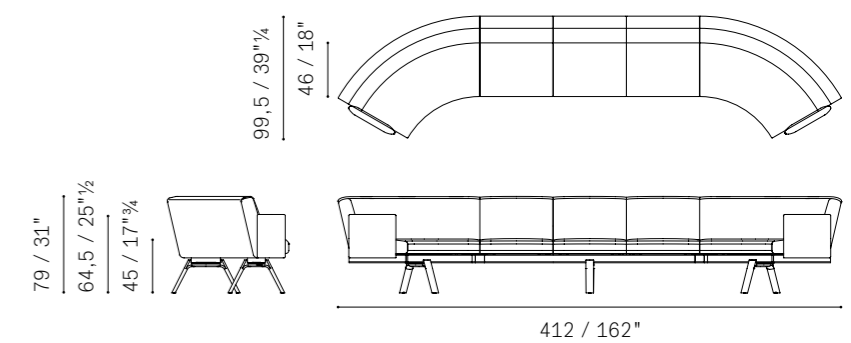
LAYOUT EXAMPLE 18 - 5-SEATER BEAM WITH ARMRESTS AND SIDE TABLE DX-SX



LAYOUT EXAMPLE 23 - CURVED CONFIGURATION TYPE B



LAYOUT EXAMPLE 24 - CURVED CONFIGURATION TYPE C

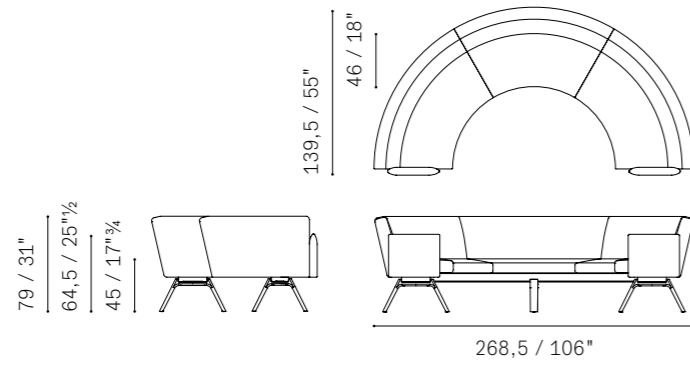




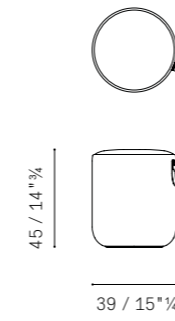
**BAY LOUNGE** Sedute su barra / Beam seatings

Please note: this catalogue shows only some technical drawings, in order to know all the availabilities please contact the customer office.  
Contact: [custominteriors@poltronafrau.com](mailto:custominteriors@poltronafrau.com)

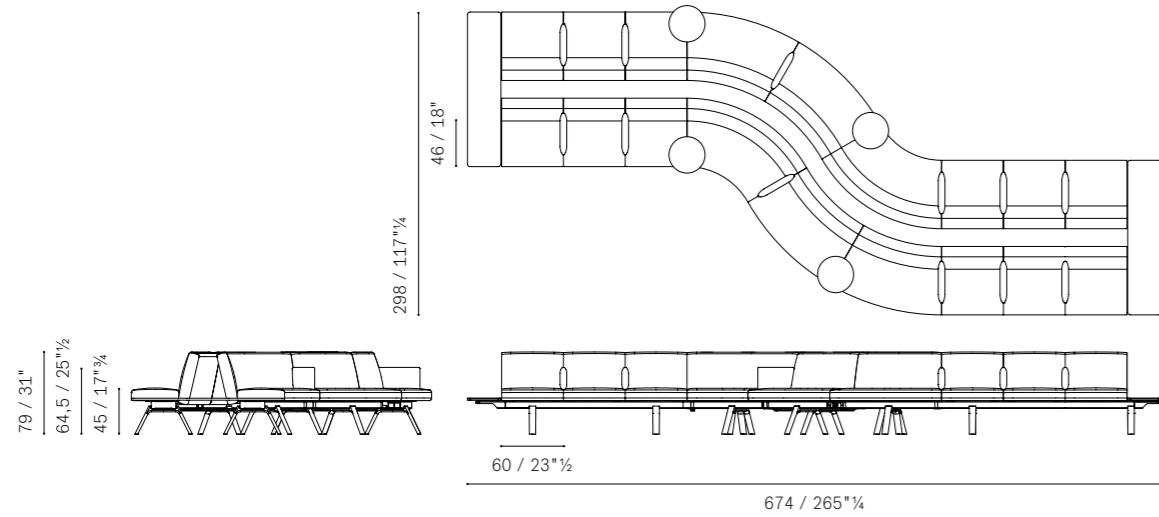
LAYOUT EXAMPLE 25 - CURVED CONFIGURATION TYPE D



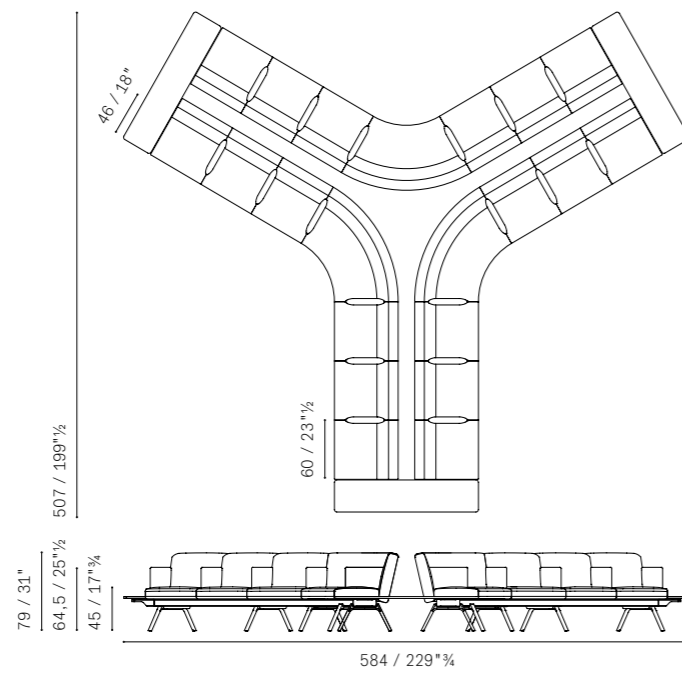
BAY OTTOMAN



LAYOUT EXAMPLE 26 - CURVED CONFIGURATION TYPE E



LAYOUT EXAMPLE 27 - CURVED CONFIGURATION TYPE F





#### CONTACTS

##### **Poltrona Frau S.p.A**

a socio unico

Sede legale in Meda (MB)

Via Luigi Busnelli 1

20821 Italy

Sede operativa in Tolentino (MC)

Via Sandro Pertini 22

62029 Italy

Tel. +39 0733 909.1

Fax +39 0733 971600

[www.poltronafrau.com](http://www.poltronafrau.com)

#### CREDITS

Project developed by the  
Marketing & Communications dept.  
of Poltrona Frau spa

Lifestyle CGI Photography  
Fuorifuoco Agency

Still-life Photography  
Foster+Partners

Post production / Color selection  
Pan Group Milano

#### © POLTRONA FRAU 2024

Poltrona Frau reserves the right to modify the products and the components in this price list, without any prior notice. Company with certified Quality Management System in accordance with ISO 9001, certified Environmental Management System in accordance with ISO 14001, certified Occupational Health and Safety Management System in accordance with BS OHSAS 18001, certified Chain of Custody System in accordance with Forest Stewardship Council® FSC-STD-40-004 (FSC-C153281).

Company subject to management and co-ordination of Haworth Italy Holding S.r.l.

